

# innex DS200

Document Scanner

## Quick Start Guide

**Innex DS200** Document Scanner is engineered to boost your productivity with its powerful 20.1-megapixel sensor. Say farewell to the hassle of tedious scanning tasks.

With the Innex DS200, you'll enjoy efficient, high-quality scanning that transforms your document handling process. Let's dive in and start making your scanning experience seamless and productive!

InnexScan unlocks a wide range of features, including document and book scanning, OCR (Optical Character Recognition) to recognize text and export the results in PDF, Word, or Excel formats, barcode scanning, and much.

For more information please visit:

Innex DS200

<https://funtechinnovation.com/innex/innex-document-scanner-DS200/>

InnexScan

<https://funtechinnovation.com/software/innexscan/>

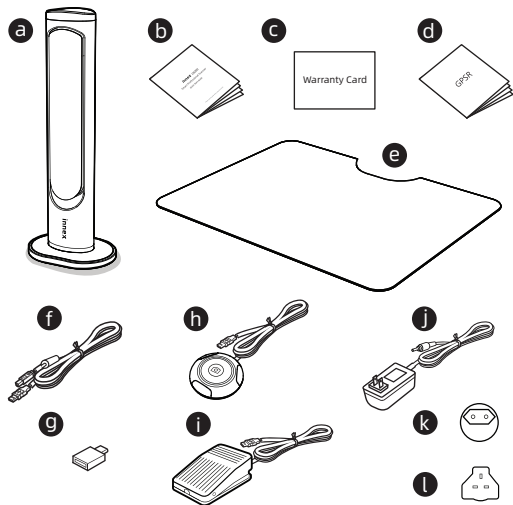


InnexScan

Please read this guide before using the product.

## Package Contents

- a DS200
- b Quick Start Guide
- c Warranty Card
- d GPSR Statement
- e Scanning Pad
- f USB Cable
- g USB-C to USB A Adapter
- h Hand Button
- i Foot Pedal
- j Power Adapter (Type A)
- k Power Plug (Type C)
- l Power Plug (Type G)

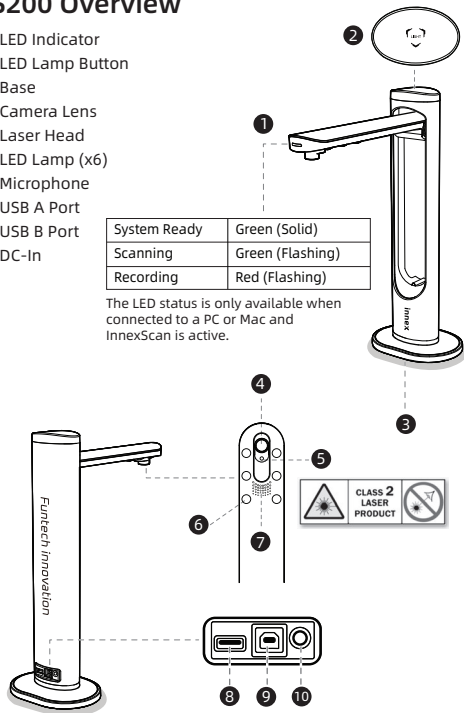


## DS200 Overview

- 1 LED Indicator
- 2 LED Lamp Button
- 3 Base
- 4 Camera Lens
- 5 Laser Head
- 6 LED Lamp (x6)
- 7 Microphone
- 8 USB A Port
- 9 USB B Port
- 10 DC-In

System Ready	Green (Solid)
Scanning	Green (Flashing)
Recording	Red (Flashing)

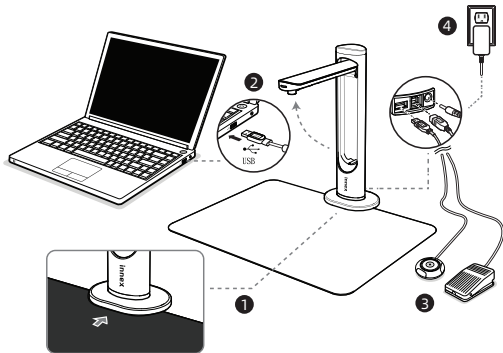
The LED status is only available when connected to a PC or Mac and InnexScan is active.



## Hardware Setup

- 1 Place the scanning pad in front of the DS200 and unfold the DS200 arm.
- 2 Connect the USB cable to the USB B port on the back of the DS200 and the other end to a USB port on your computer.
- 3 Connect the hand button or foot pedal to the USB A port on the back of the DS200.
- 4 Connect the power adapter to the DC-in port on the DC200 and plug the other end into a power outlet.

⚠ Please use only the cables and power adapter provided with the product.



NOTE: Ensure the scanning pad is in contact with the scanner base.

## Use InnexScan Software

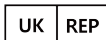
InnexScan is the software that unlocks the full capabilities of the DS200. It offers the following modes to suit your needs.

Mode	Description
Quick Scan	This mode allows you to perform predefined scans swiftly and efficiently with just the press of a button.
Photo	This mode allows you to capture snapshots and save them in JPG, BMP, PNG, or TIFF formats.
Document	This mode is designed for scanning documents, business cards, and more. This mode features powerful image processing algorithms that can repair damaged edges of documents and rotate pages based on text orientation. It also allows you to scan directly to JPEG or PDF files and even perform OCR to convert scanned data into editable Word, Text, or Excel files.
Book	This mode is designed for scanning books and magazines. It includes advanced features such as automatic scanning, flattening curved pages, erasing finger images, enhancing backgrounds, and splitting pages.
Barcode	This mode is for scanning and recognizing barcodes and QR codes. It allows you to save the scanned results directly into JPEG, Text, Excel or PDF formats, making data management easy and efficient.

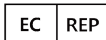
Visualizer	This mode allows you to display objects or documents in real time with a connected projector or HDTV. It is also suitable for recording video tutorials and more. This mode ensures seamless presentations and instructional recordings.
OCR	This mode allows you to convert a batch of scanned images into searchable PDF files or editable Word, Excel and Text files. It supports over 100 languages.

Visit <https://funtechinnovation.com/downloads/> to download and install InnexScan.

For the details on how to use InnexScan, refer to the InnexScan instruction manual, available for download at <https://funtechinnovation.com/downloads/>.



**APEX CE SPECIALISTS LIMITED**  
89 PRINCESS STREET, MANCHESTER, M1 4HT, UK



**APEX CE SPECIALISTS GMBH**  
HABICHTWEG 1 41468 NEUSS GERMANY



Vous êtes responsable de remettre tous les appareils électriques et électroniques usagés à des points de collecte correspondants.

Pour en savoir plus:  
[www.quefairemesdechets.fr](http://www.quefairemesdechets.fr)

FR

## Specifications

Image Sensor	20.1-Megapixel CMOS Sensor
Max. Resolution	Optical: 5120 X 3920 Pixels (20.1MP)
Software Interpolation	5888 x 4522 pixels (26MP)
Output DPI	Approx. 300dpi (A3)
Max. Shooting Area	A3 (16.77x12.59"/ 426x320mm)
Scanning Speed	1.5 sec. per A3 page
Color Bit Depth	24 bit
Lens Focus	Fixed
Laser Projection	Built-in
Light Source	Built-in High-brightness LED
Scanning methods	Hand Button, Foot Pedal, Software Button, Auto-Scan
Output Format (Mac version software does not support TTS)	Picture: JPG, TIFF, BMP, PNG Document: PDF(Image), PDF (Searchable), PDF(Text), Excel, Word, Txt E-book: EPUB Text To Speech: MP3, WAV Video: AVI, MPEG, FLV, WMV
Interface	USB 2.0 Type B x 1 (For PC Connection) USB 2.0 Type-A x 1 (For USB Extension)
Power	5V /2A
Dimension	Folded size: 43.3x59x193.2"/110x150x402mm Working size: 120.86x59.05"x158.55"/307x150x402mm
Net Weight	Approx. 1.2 kg (2.64 lb)

## System Requirements

OS	Microsoft Windows 10, 11; MacOS 11 or later
CPU	Intel i5 Processor or Higher (Windows)
RAM	Minimum 8GB/ Recommended 16GB or more
Storage	20GB Available HDD Space
I/O Port	USB 2.0 Port



**CLASS 2  
LASER  
PRODUCT**



### Diode Laser

Max. output power: < 1 milliwatt

Wavelength: 400-700 nanometers (visible light)

Min. divergence: 0.5 milliradian

Output: **Continuous (CW)**

Laser hazard classification: **Class 2**

# Laser Safety Facts



## Laser hazards

Do not look into the direct or reflected beam; can cause eye injury up to 50 ft (15 m) away.

### Visual interference (glare) with pilots and drivers

Interferes with vision up to 1050 ft (320 m) away. Can be a distraction up to 2 miles (3.2 km) away. **NEVER point any laser towards aircraft or vehicles; it is unsafe and illegal.**

## Safe use guidance

Class 2 lasers are considered safe for accidental eye exposure. Do not look or stare into beam. Do not aim at aircraft. **This is not a toy.** Always supervise children.

### Additional safety information online

Scan the QR code above, or visit [LaserSafety.info/2](http://LaserSafety.info/2)

**Fun Technology Innovation Inc.**