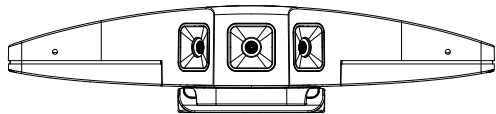


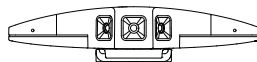
innex C831

Panoramic Conference Camera

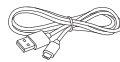


Quick Start Guide

Package Contents



Device



USB Cable



Safety, Compliance
and Warranty



Quick Start Guide



Wall Bracket

Wall Mount kit



Wall anchors x2

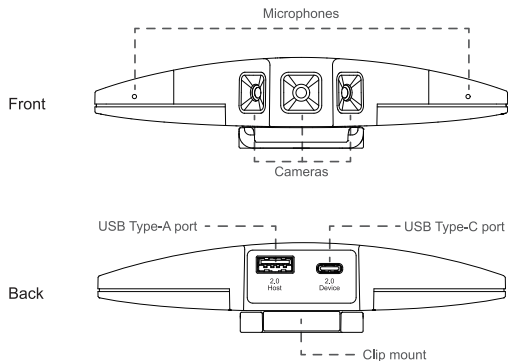


Self-tapping Screw X2
(L30mm/1.18")



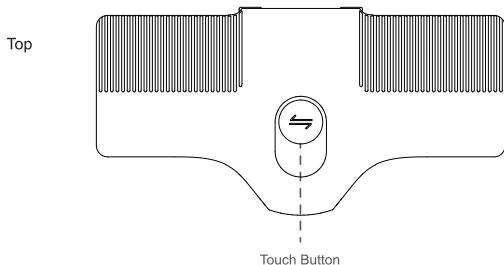
Thumb Screw
(1/4-20-L8mm/0.31")

Camera Overview



(1) USB-C port: For connecting the USB-C end of the bundled USB cable which should then be connected to a USB-A port of a laptop or desktop PC. This connection will provide power to the camera and transmit both video and audio from the camera to the computer.

(2) USB-A port: For connecting to a USB-A cable which connects to another USB device such as a keyboard or mouse.



(1) Short tap the touch button to cycle through view angles: 180°, 150°, 120°, 90°, and 75°.

(2) Long press the touch button when the view angle is set to less than 180°, activating the ePan function. This allows the view to move left and right.

(3) You can also activate Memory mode by pressing and holding the touch button for 6-10 seconds when the view angle is set to 180°. Once activated, the status will be displayed on the screen. Tap the button again to deactivate the mode.

When Memory mode is on, the camera remembers the last field of view (FoV) and starts with that FoV the next time. When the mode is off, the camera defaults to a 180° view.

Setup and Installation

Operating System

Windows 10 or above. MacOS 10.12 or above.

Connecting Camera

- (1) Connect the USB-C end of the bundled cable to the camera and the other end to a laptop or desktop.
- (2) Connect the USB-A end of the same cable to a laptop or desktop PC.

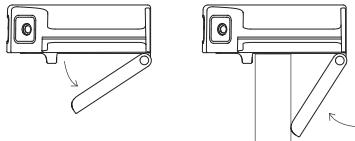


Ensure to use the bundled cable and connect it directly to a USB 3.0 port. Connecting it to a USB 2.0 port or via a USB hub may cause malfunction due to insufficient power supplied to the camera.

Mounting Camera

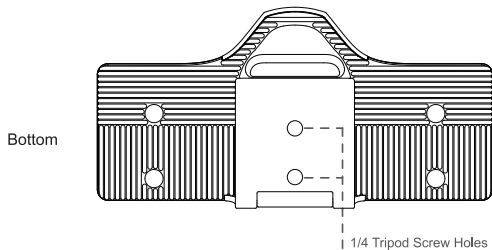
Clip Mount:

Easily mount onto any display such as laptop, monitor, television, or interactive display using the built-in clip mount.



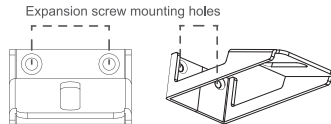
Tripod Mount:

Tripod screw holes are located at the bottom of the clip mount for tripod mounting.



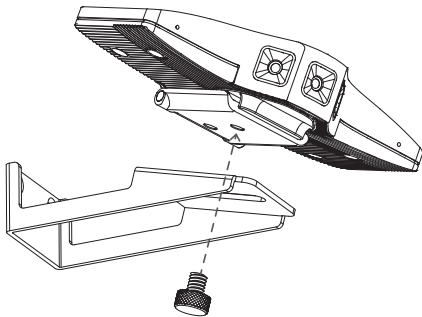
Wall Mount:

(1) Drill two 6mm/0.24" diameter holes that are 28mm/1.1" apart from the center horizontally on the wall. Insert two wall anchors into the holes.



(2) Screw the wall bracket tightly against the wall using two self-tapping screws.

(3) Position the camera's tripod 1/4" hole onto the wall bracket's opening and turn the thumb screw into it. Continue turning until the camera is securely mounted onto the wall bracket.



Innex Studio

To unlock all features of C831, such as auto-layout by AI, image quality settings and firmware update, please go to <https://funtechinnovation.com/downloads/>, find Innex C831 and download camera software: Innex Studio.

For more detail about the software, go to <https://funtechinnovation.com/software/innex-studio/>

UK REP

APEX CE SPECIALISTS LIMITED
89 PRINCESS STREET, MANCHESTER, M1 4HT, UK

EC REP

APEX CE SPECIALISTS GMBH
HABICHTWEG 1 41468 NEUSS GERMANY



Vous êtes responsable de remettre tous les appareils électriques et électroniques usagés à des points de collecte correspondants.

Pour en savoir plus:
www.quefairede mesdechets.fr

FR